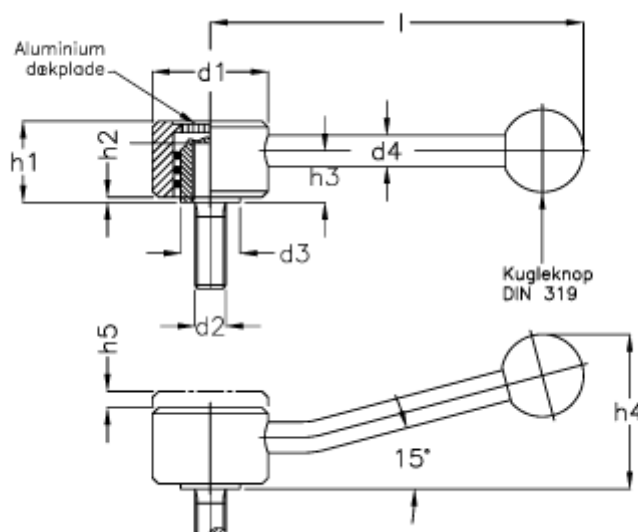


Article number: 20497877C

Description: E+G adjustable tension lever
GN125-32-M8-16-D

Measures



d1 = 32

h5 = 4.0

d2 = M8

l1 = 12

d3 = 13.5

d4 = 8

h1 = 20.5

h2 = 1.5

h3 = 12.5

h4 = 36